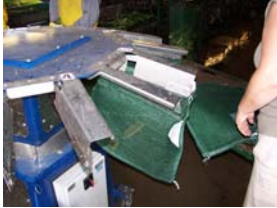


5005

Marand Engineering Ltd

*Corn Packaging Carousel
Mesh Mini Bags*



Marand Engineering Ltd

105 Watts Avenue
Charlottetown, PEI
Canada, C1E 2B7

Phone : (902) 368-8954
Fax: (902) 368-7041
Web: www.MarandEng.com



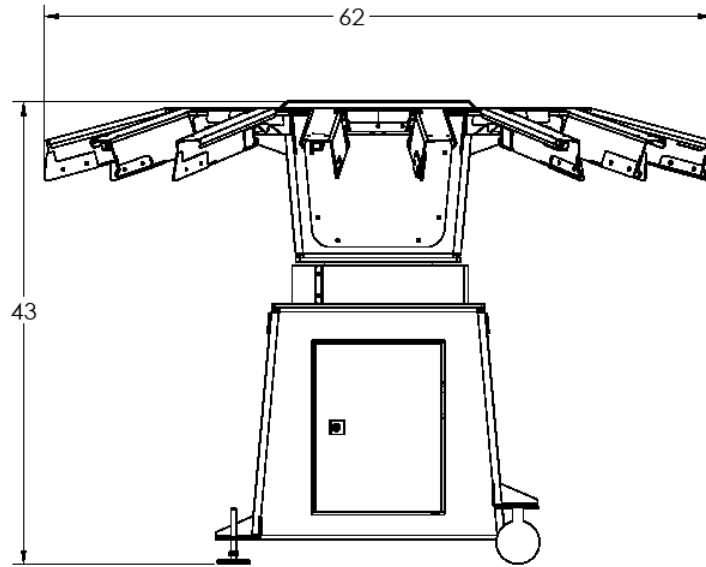
ISO 9001 + AS9100



Sold and Serviced by



Contact: David Janzen 905.382.5776 Stevensville, ON Canada
www.janzenpackaging.com



Features

The 5005 carousel bagging system is designed specifically for use with mesh bags. It allows quick loading of bags.

The mesh bags are held by a unique low pressure system which has no dangerous pinch points.

The carousel is operated by a floor standing touch screen display console. The system can be quickly programmed to load, fill or release at any of the 8 stations. It can be operated in clockwise or counter-clockwise rotations.

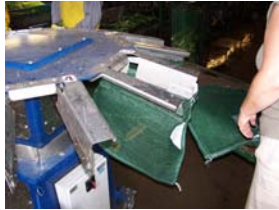
Workers are paced at a steady rate, determined by the operator / supervisor, reducing idle operator time.



5005

Marand Engineering Ltd

*Corn Packaging Carousel
Mesh Mini Bags*



Marand Engineering Ltd

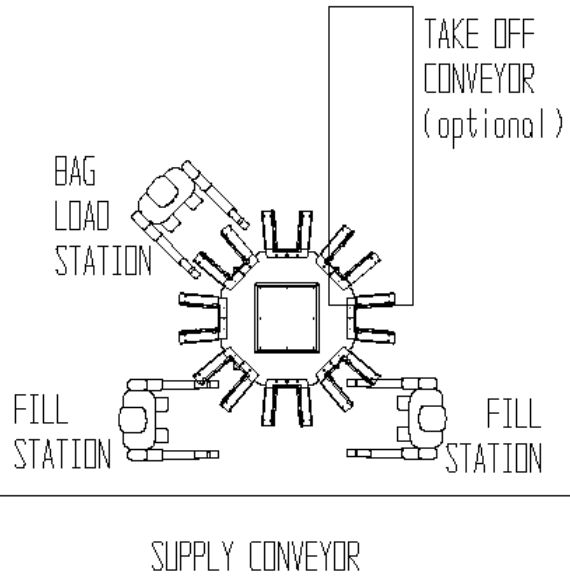
105 Watts Avenue
Charlottetown, PEI
Canada, C1E 2B7

Phone : (902) 368-8954
Fax: (902) 368-7041
Web: www.MarandEng.com

MARAND

ENGINEERING

ISO 9001 + AS9100



Features

Bag Types : Mesh Bags
Mesh Mini Bags

Design 8 Station Carousel
Capacity : 2 - 50 Lb capacity
10 - 25 Bags / minute

Control : PLC Controlled
Touch Screen HMI
Programmable load and take off
1 - 2 - 4 indexes per cycle

Bag Holding : Low pressure air system
Pinch less clamp design
Large bag opening

Power : 120 V AC @ 60 Hz
15 Amps

Air : 50 psi shop air connection

Environment : NEMA 4X components
Designed for use in wet environments

