

# 5009

## Marand Engineering Ltd

*Packaging Carousel  
Wicketed Poly Bags*

**Marand Engineering Ltd**

105 Watts Avenue  
Charlottetown, PEI  
Canada, C1E 2B7

Phone : (902) 368-8954  
Fax: (902) 368-7041  
Web: [www.MarandEng.com](http://www.MarandEng.com)

# MARAND

ENGINEERING

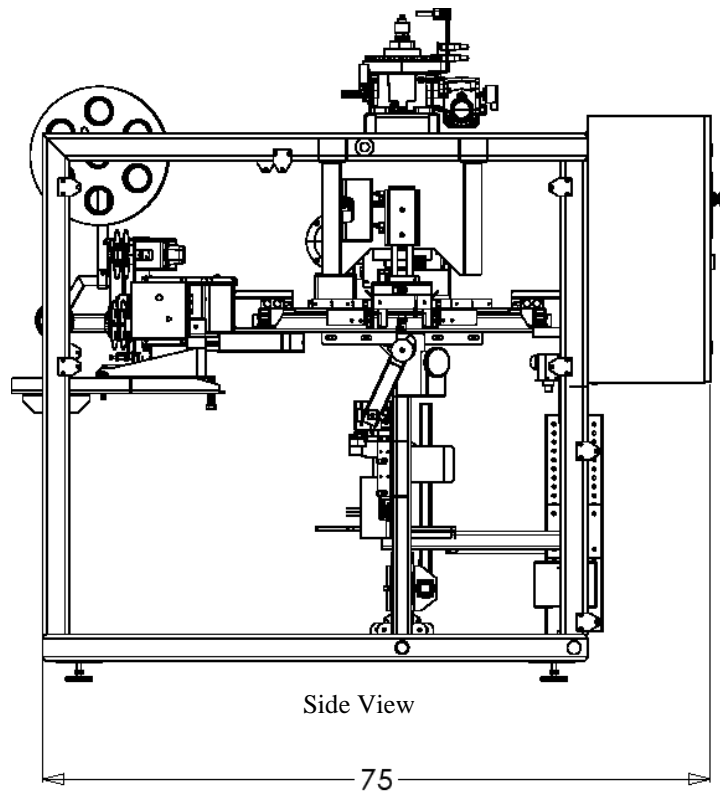
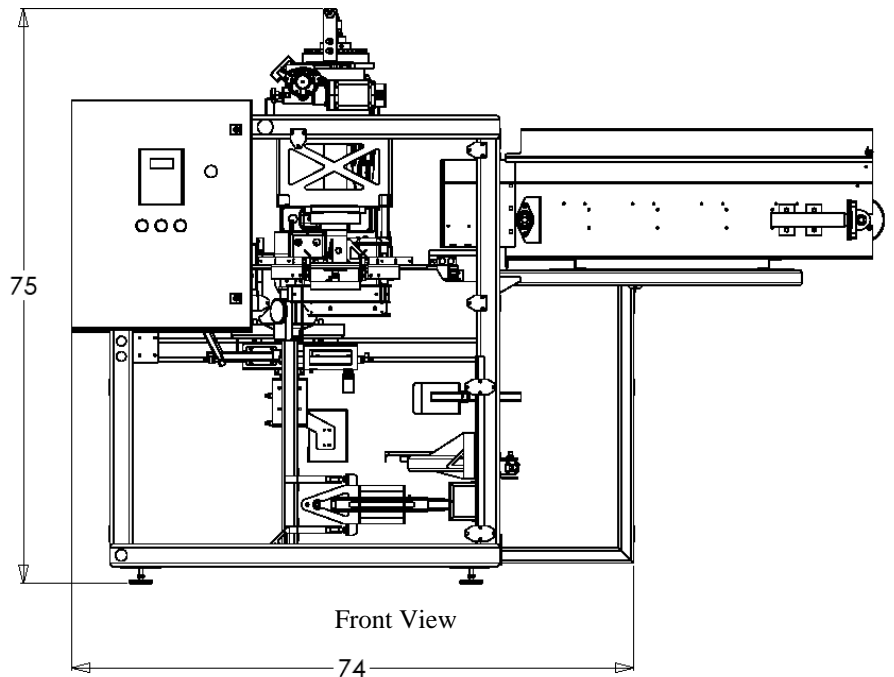
ISO 9001+ AS9100



Sold and Serviced by

**JANZEN**  
Packaging Inc.

Contact: David Janzen 905.382.5776 Stevensville, ON Canada  
[www.janzenpackaging.com](http://www.janzenpackaging.com)



Bag Types : Wicketed Poly Bags  
Wicketed Mesh/Poly  
Kwik Lok Closure

Control : PLC Controlled  
Fully Automatic  
Operator Panel

Design 4 Station Carousel

Power : 208/600 VAC  
60 Hz  
10 Amps

Capacity : 2 - 10 Lb capacity  
Up to  
30 Bags / minute

Air : 50 psi shop air

Environment : NEMA 4X