

# 5010

## Marand Engineering Ltd

*Packaging Carousel  
Mesh Bags*

---

**Marand Engineering Ltd**

105 Watts Avenue  
Charlottetown, PEI  
Canada, C1E 2B7

Phone : (902) 368-8954  
Fax: (902) 368-7041  
Web: www.MarandEng.com

---

**MARAND**  
ENGINEERING

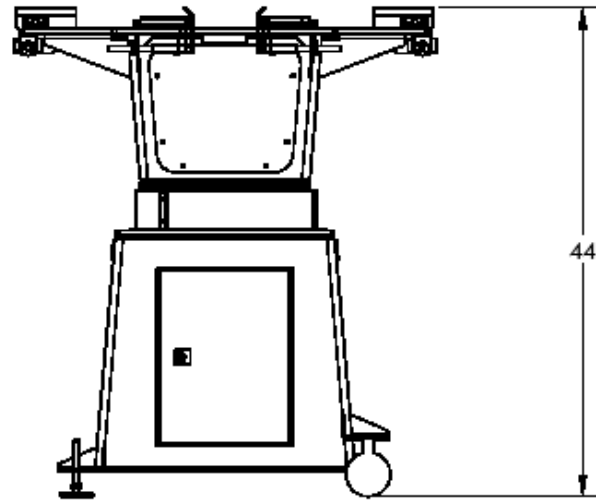
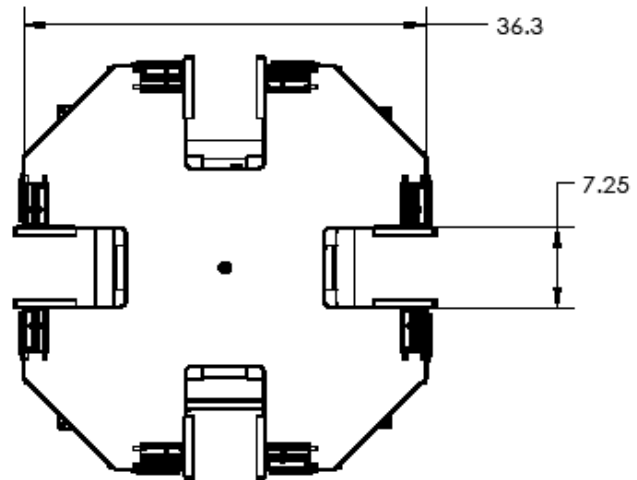
ISO 9001+ AS9100



Sold and Serviced by

 **JANZEN**  
Packaging Inc.

Contact: David Janzen 905.382.5776 Stevensville, ON Canada  
www.janzenpackaging.com



Bag Types : Manual Load Mesh Bags

Design 4 Station Carousel  
Capacity : 2 - 50 Lb capacity  
Up to 25 Bags / minute

Control : PLC Controlled  
Touch Screen HMI  
Programmable load and take off

Bag Holding : Low pressure air system  
Pinchless clamp design  
Large bag opening

Power : 120 V AC @ 60 Hz  
15 Amps

Air : 50 psi shop air connection

Environment : NEMA 4X components  
Designed for use in wet environments